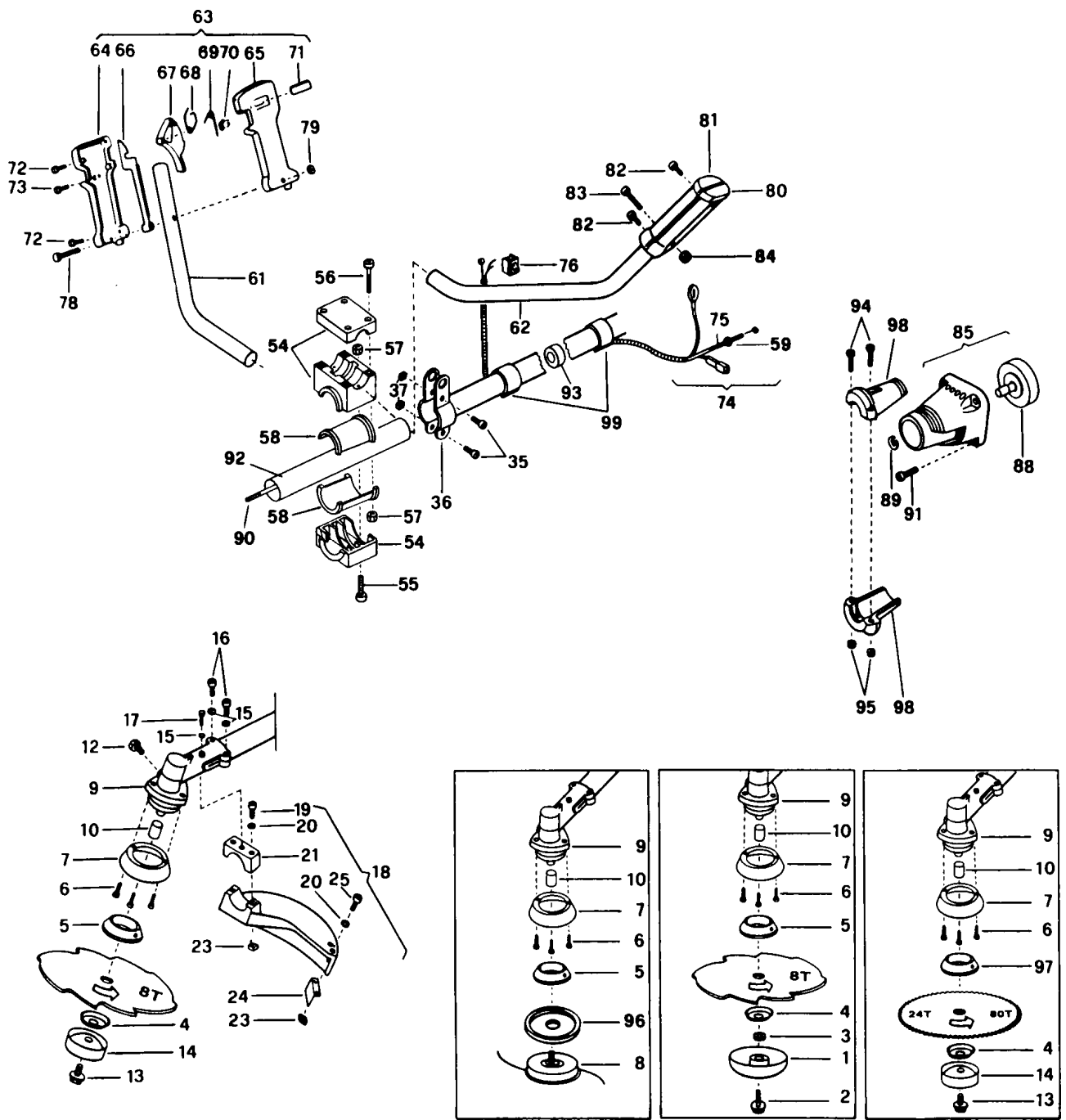


FIGURE 1

1	FIGURE 3	22	5382415-41	42	5382276-31	62	5382418-29
2	5382479-36	23	● 5382298-09	43	5382412-23	63	5382414-16
3	● 5382359-00	24	● 5382244-97	44	5382352-18	64	5382363-22
4	● 5382358-99	25	● 5382356-75	45	5382418-34	65	5382412-41
5	● 5382288-72	26	5382404-52	46	● 5382271-94	66	5382406-88
6	5382479-35	27	5382365-63	47	●● 5382277-03	67	5382352-18
7	● 5382358-99	28	● 5382365-64	48	● 5382408-84	68	5382415-22
8	● 5382359-00	29	5382418-30	49	● 5382274-67	69	5382414-34
9	● 5382288-72	30	5382415-23	50	● 5382273-00	70	5382414-28
10	5382358-06	31	5382356-42	51	● 5382404-92		
12	5382412-79	32	5382352-48	52	● 5382274-70		
13	5382479-37	33	5382374-52	53	● 5382404-85		
14	● 5382412-69	34	5382274-17	54	5382412-48		
15	● 5382412-70	35	FIGURE 5	55	5382365-27		
16	● 5382369-56	36	5382272-55	56	5382412-80		
17	5382412-40	37	5382276-92	57	5382414-32		
18	5382358-06	38	5382352-48	58	● 5382272-36		
19	5382412-98	39	5382358-03	59	● 5382272-74		
20	5382358-08	40	5382412-66	60	5382275-65		
21	5382358-04	41	● 5382357-42	61	5380928-79		



**FIGURE 2**

1	5380408-09	20	● 5382352-48	65	● 5382412-94	84	5382352-16
2	● 5382408-06	21	● 5382409-31	66	● 5382298-20	85	5382409-05
3	● 5382408-07	23	● 5382367-32	67	● 5382412-95	88	● 5382272-84
4	5382298-34	24	● 5382244-97	68	● 5382400-91	89	● 5382363-78
5	5382298-33	25	● 5382358-02	69	● 5382299-73	90	5382281-09
6	5382406-88	35	5382359-11	70	● 5382298-23	91	5382365-27
7	5382407-67	36	5382281-52	71	● 5382298-24	92	5382415-34
8	FIGURE 4	37	5382366-42	72	● 5382406-18	93	● 5382415-36
9	5382414-26	54	5382416-85	73	● 5382408-33	94	5382355-30
10	● 5382472-72	55	● 5382359-21	74	● 5382415-28	95	5382292-08
12	● 5382401-51	56	● 5382365-58	75	●● 5382415-29	96	5382411-55
13	5382298-42	57	● 5382359-12	76	●● 5382363-94	97	5382409-36
14	5382365-96	58	● 5382416-84	78	5382358-04	98	5382408-17
15	5382365-29	59	5382359-12	79	5382352-16	99	5382298-50
16	5382358-04	61	5382298-31	80	5382299-84		
17	5382363-81	62	5382298-32	81	5382299-85		
18	5382472-08	63	5382415-42	82	5382408-33		
19	● 5382358-06	64	● 5382412-93	83	5382352-12		

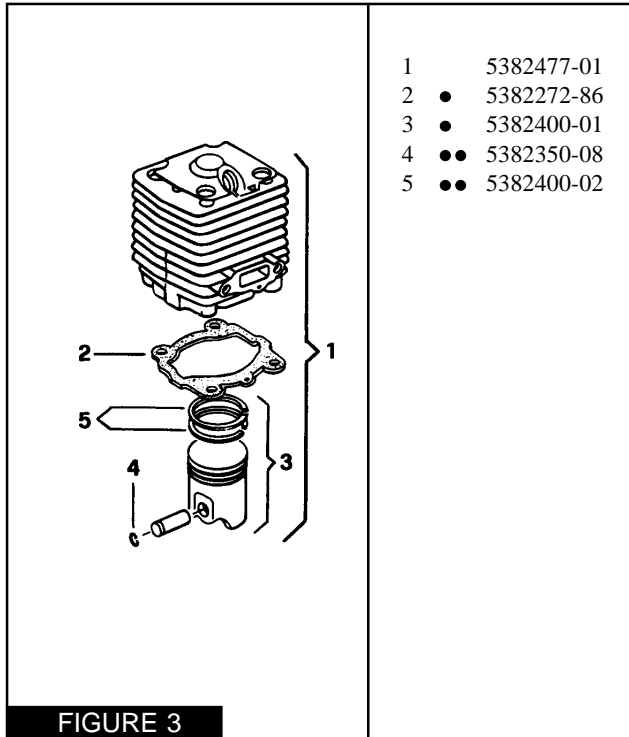


FIGURE 3

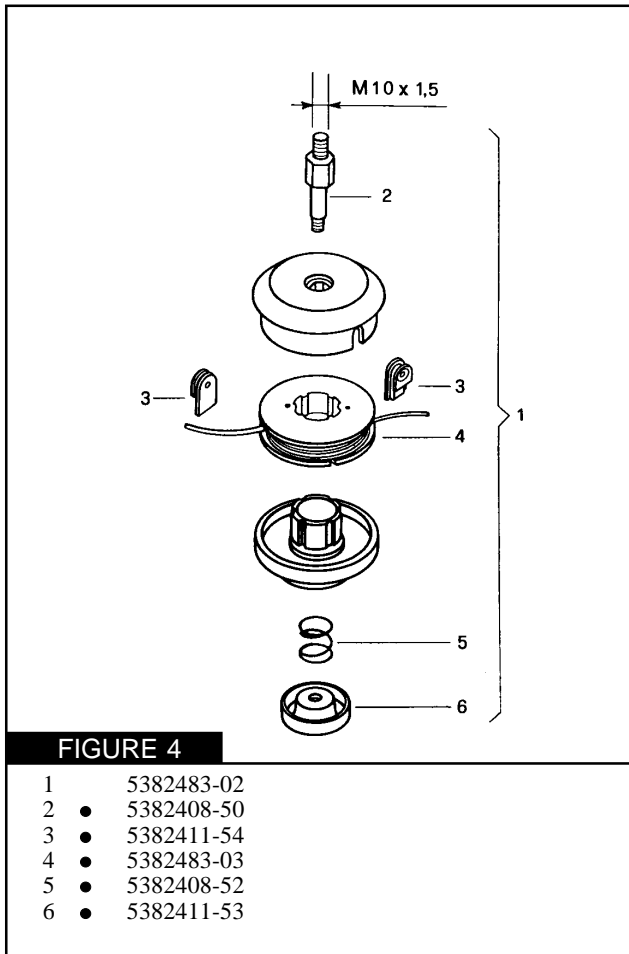


FIGURE 4

- 1 5382483-02
- 2 ● 5382408-50
- 3 ● 5382411-54
- 4 ● 5382483-03
- 5 ● 5382408-52
- 6 ● 5382411-53

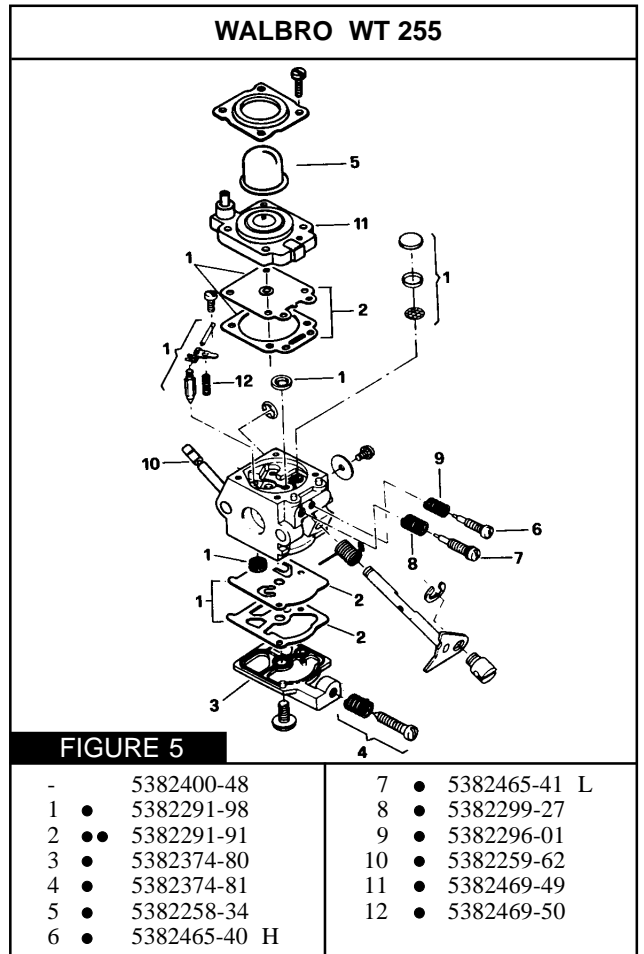


FIGURE 5

- |      |              |      |              |
|------|--------------|------|--------------|
| -    | 5382400-48   | 7 ●  | 5382465-41 L |
| 1 ●  | 5382291-98   | 8 ●  | 5382299-27   |
| 2 ●● | 5382291-91   | 9 ●  | 5382296-01   |
| 3 ●  | 5382374-80   | 10 ● | 5382259-62   |
| 4 ●  | 5382374-81   | 11 ● | 5382469-49   |
| 5 ●  | 5382258-34   | 12 ● | 5382469-50   |
| 6 ●  | 5382465-40 H |      |              |